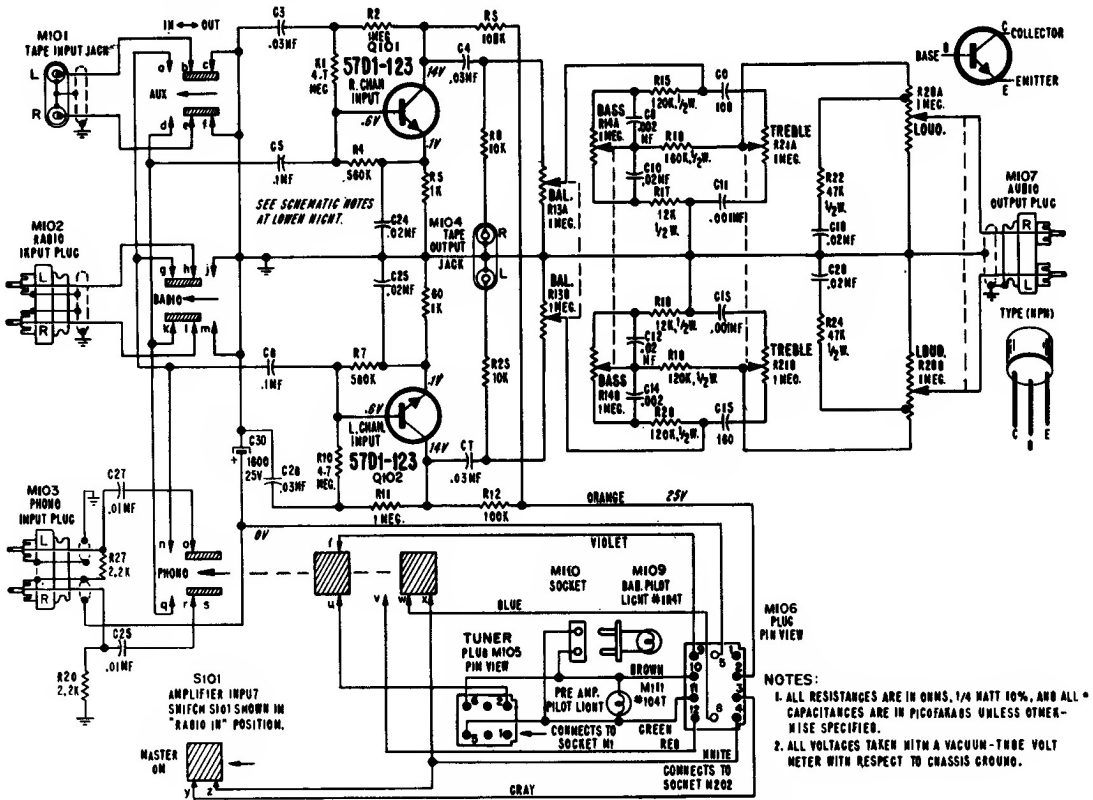


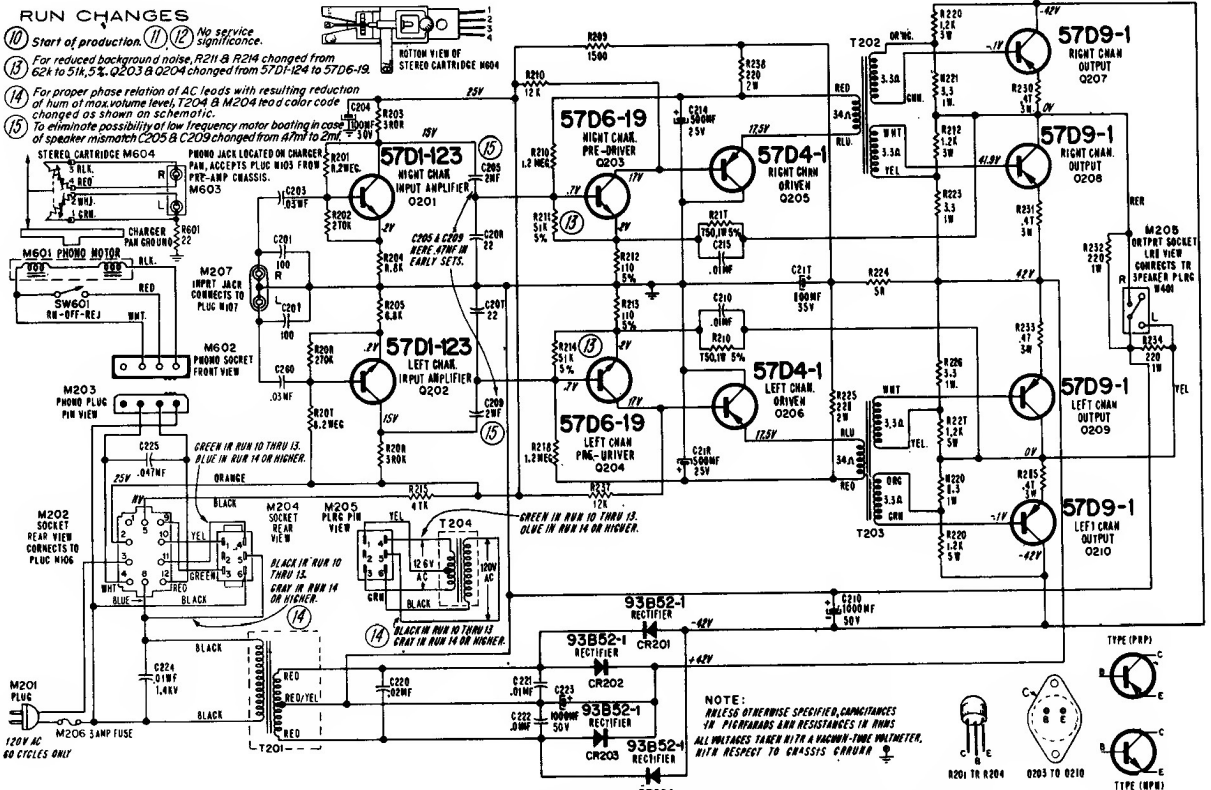
ADMIRAL 4F4, A, Pre-Amp, and 8L3, A, Power Unit, Continued



SCHMATIC FOR 4F4, 4F4A PRE-AMP CHASSIS

RUN CHANGES

- (10) Start of production. (11) (12) No service significance.
- (13) For reduced background noise, R214 & R214 changed from 62K to 51K, 5%. C203 & C204 changed from 5701-124 to 5706-19.
- (14) For proper phase relation of AC leads with resulting reduction of hum at max volume level, T204 & M204 lead color code changed as shown on schematic.
- (15) To eliminate possibility of low frequency motor boating in case of speaker mismatch, C205 & C209 changed from 470pF to 20pF.



SCHMATIC FOR 8L3, 8L3A AMPLIFIER - POWER SUPPLY CHASSIS